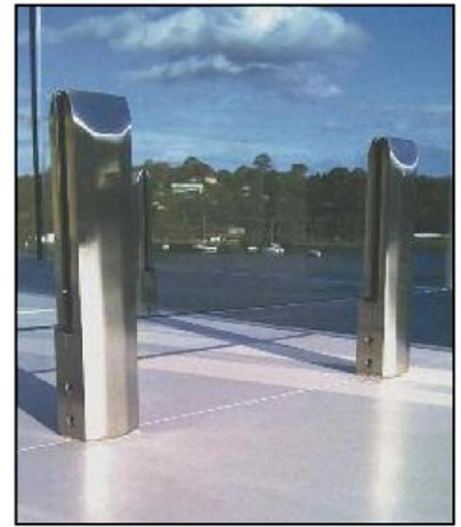


# Frameless Windscreen Clamp System

- Gives the 'All-Glass' Frameless Look to Windscreens or Pool Surrounds
- Core-Mounted, Surface-Mounted, or Side-Mounted Styles for 3/8", 1/2", and 9/16" (10, 12, and 13.5)
- 316 Grade Stainless Steel in Two Finishes
- Custom Powder Coated Finishes Also Availal



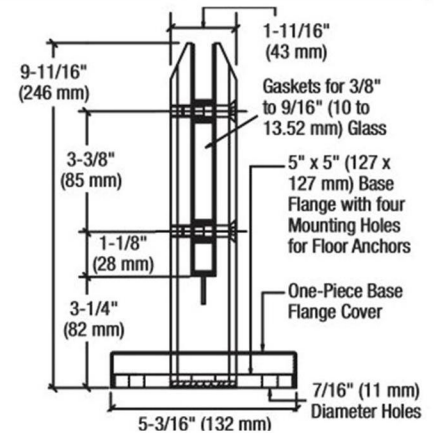
Frameless Windscreen Clamps are typically used to create a tempered glass windscreen or pool surround with minimal distractions from vertical or horizontal frame members. Core mount styles are designed for insertion in core-drilled holes in a concrete deck, which are then filled with expanding cement. There is also a Windscreen Clamp designed to be mounted on the face of a wall or planter box. And now you can select one of our new Surface Mount Models. Custom powder-painted finishes are also available. For glass fabrication guidelines go to [crlaurence.com](http://crlaurence.com).

**NOTE:** Superior Glass and mirror suggests you check local building codes to confirm these Frameless Windscreen Clamps meet local regulations. Windscreen Clamps are not designed for guard rail applications.

## Beveled One-Piece Surface Mount Frameless Windscreen Clamp

- 316 Grade Stainless Steel in Two Architectural Finishes
- For Use With 3/8" or 1/2" (10 or 12 mm) Tempered Monolithic Glass and 9/16" (13.52 mm) Tempered Laminated Glass

Beveled One-Piece Surface Mount Windscreen Clamps are designed for use on a wide range of residential and commercial applications, and provide an attractive low maintenance unobstructed view. These innovative Clamps can be installed to almost any mounting substrate, and meet virtually all safety requirements and building codes. Glass fabrication requires two 3/4" (19 mm) diameter holes per Clamp.



## Round One-Piece Low Profile Surface Mount Frameless Windscreen Clamp

- 316 Grade Stainless Steel in Two Architectural Finishes
- For Use With 3/8" or 1/2" (10 or 12 mm) Tempered Monolithic Glass and 9/16" (13.52 mm) Tempered Laminated Glass

Round One-Piece Low Profile Surface Mount Windscreen Clamps are designed for small windbreaks, restaurants, and store areas that need counter top mounted glass partitions. These Clamps can be surface mounted to almost any mounting substrate, and are offered in two architectural finishes. Glass fabrication requires two 3/4" (19 mm) diameter holes per Clamp.

