

## Three-Piece Core Mount Frameless Windscreen Clamp

- Made of Duplex 2205 Grade Brushed Stainless Steel
- Designed for 3/8" or 1/2" (10 or 12 mm) Tempered Monolithic Glass and 9/16" (13.52 mm) Tempered Laminated Glass



or

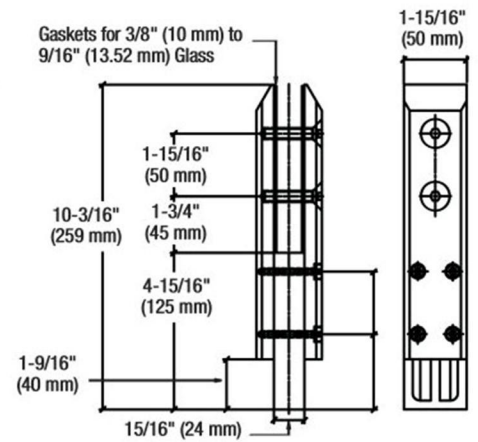


Duplex 2205 is a more corrosive-resistant, higher grade of stainless steel than #316. It is ideally suited for areas within 1 mile (1.6 km) of saltwater environments due to higher chromium content in the metal. Glass fabrication requires two 3/4" (19 mm) diameter holes per Clamp. Instructions and glass fabrication templates are supplied. To secure Clamp in hole we suggest you use Kwikset™ Expanding Cement (see page 472B).

M16 x 2.0 x 4" (102 mm) Long Threaded Rod Embed



3" (76 mm) Dia. Hole Recommended in Concrete



## Two-Piece Side Mount Frameless Windscreen Clamp

- 316 Grade Stainless Steel in Two Architectural Finishes
- Designed for 3/8" or 1/2" (10 or 12 mm) Tempered Monolithic Glass and 9/16" (13.52 mm) Tempered Laminated Glass



or



Two-Piece Side Mount Frameless Windscreen Clamps are designed for attachment to the front side of walls or planter boxes. Due to the number of varying mounting conditions, anchors and mounting screws are not supplied. The back plate is fabricated to accept 8 mm (5/16") flat head screws. Glass fabrication requires two 3/4" (19 mm) holes per Clamp. An instruction sheet and glass fabrication template are supplied.

